

# ELBA

## CHEST FREEZER

MODEL: EF-F6650(WH)

### Owner's Manual

Please read this manual carefully before operating your set.

Retain it for future reference.

Record model number and serial number of the set.

See the label attached on the set and quote this information to your dealer when you require service.

For The Warranty Terms & Conditions, Please Refer To Warranty Certificate

## SAFETY PRECAUTIONS

**REMOVE ALL PACKING MATERIALS FROM THIS APPLIANCE BEFORE USING IT. THIS APPLIANCE MUST BE INSTALLED ON A FLAT SURFACE. PLEASE ENSURE THE ELECTRICITY SUPPLY TO THIS APPLIANCE IS DISCONNECTED BEFORE INSTALLING.**

Please read this instruction carefully. It is advisable to keep this instruction manual in a safe place for future reference.

1. Keep this appliance out of reach from children. Do not let them to operate the appliance without supervision.
2. Check the current rating on the rating plate and make sure the current supplied is matched with the appliance before using.
3. This appliance must be stationed at least 10cm away from the surrounding objects. There should not be anything to be placed on top of the appliance.
4. This appliance is for household and indoor use only.
5. This appliance is not intended for use by person (including children) with reduced physical, sensory or mental capabilities unless they have been given supervision or instruction concerning use of the appliance by a person responsible for their safety.
6. If the power cord or plug is damaged, it must be replaced by the service centre or a qualified service technician to avoid hazard.
7. This appliance should not be placed near possible heating resources or under direct sunlight to avoid decreasing the efficiency of refrigeration.
8. This appliance should be placed in a cool dry place where there is no vicinity of water splashing or high humidity.

WARNING - to reduce the risk of fire, electrical shock or injury to persons or property, please read and follow below instructions carefully:

- Always operate the appliance from a power source of the same voltage, frequency and rating as indicated on the appliance identification marking.
- Do not operate this appliance if it has malfunctioned, damaged cord or plug or appears damaged in any way. Return the complete product to the place of purchase for inspection, repair or replacement.

1

## SAFETY PRECAUTIONS

- This appliance should not be used in the immediate vicinity of water, such as bathtub, washbowls, swimming pool etc. where the likelihood of splashing could occur.
- Always switch off and unplug the plug from outlet when not in use and before cleaning.
- When the appliance is operating, the condenser and compressor will be hot.
- This appliance must be grounded and the ground wire should not be connected to any heating pipe and gas pipe.
- Do not place carbonated or fizzy drinks into the freezer.
- Do not attempt to touch the freezer when your hand is damp or wet as this could cause skin abrasions or frost burns.
- This appliance is designed to operate in ambient temperatures (surrounding air temperature) between 16°C and 32°C.
- This appliance will create frost in the freezer compartment if the environment has high humidity or the appliance door is opened frequently.
- Do not store explosive substances such as aerosol cans or flammable propellant in the appliance.
- The refrigerant contained in the refrigerant circuit of the appliance is high level of environmental compatible, which is also however flammable.
- During transportation and installation of the appliance, make sure none of the components of the refrigerant circuit become damaged.
- It is dangerous to alter the specifications or modify this product in any way.

2

## PRODUCT DESCRIPTIONS



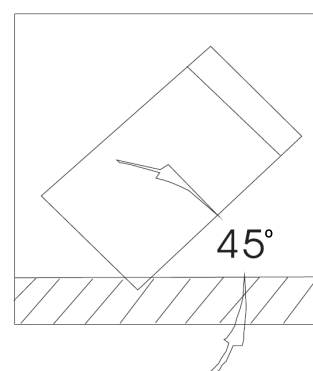
1. External handle
2. Safety Lock
3. Basket
4. Indicator light
5. Thermostat Control
6. Drain hole
7. Castors

Note: Above picture is for reference only.

3

## INSTALLATION

1. This appliance is heavy. Care should be taken when moving it.
2. When you transport the appliance, the angle between the compartment body and the ground should not be less than 45°.



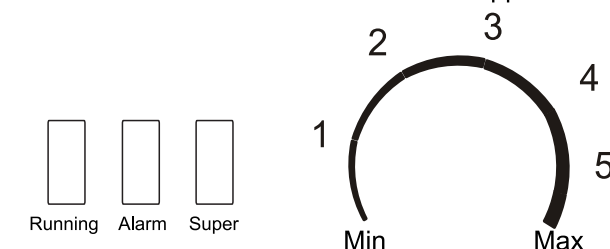
WARNING: Never put the appliance upside down.

3. Once the appliance has landed properly on a flat and stable surface, remove all the packing material including any plastic packaging material in the appliance.
4. The back of the appliance should be close to a wall but leaving the required distance for ventilation.
5. Wash the inside of the appliance with lukewarm water with a little bicarbonate of soda added (5ml to 0.5 litre of water). Do not use soap, detergent or any abrasive cleaner to wash. Dry the appliance thoroughly after cleaning.
6. Open the fridge door for ventilation of internal compartments. Idle for 4 hours before connecting the electrical mains to ensure the refrigerant in the compressor has settled well.
7. Connect the electrical mains and switch on the power for 4 hours initially before adding any goods. Make sure the ground is solid and will not vibrate when the appliance is operating.
8. If these temperatures are exceeded i.e., colder or warmer, the appliance will not operate correctly. Should the ambient temperatures be exceeded for long periods, the temperature in the freezer section will rise above -18°C and food spoilage may occur.
9. This appliance has to manually defrost and frosting will occur as normal. It is advisable to manually defrost the appliance when the frosting is at 5mm thick.

4

## OPERATING THE APPLIANCE

1. The thermostat control situated on the appliance regulates the temperature.



Position "1 - 5" – 1 is the warmest setting and 5 is the coldest setting. The RUNNING light on show the compressor is operate. The ALARM light on show the temperature in appliance is lower than -9°C, regulate the thermostat to lower cooling level to solve this problem. The SUPER is rapid cooling function, switch on this the compressor will run continuously for fast freezing.

Note: Do not turn on the feature the "MAX" and "SUPER" at prolonged period to protect the compressor.

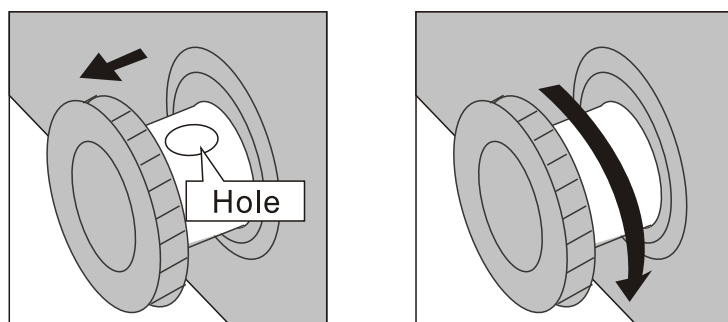
2. Regulate the thermostat to "4" to check on the operation before switching to higher cooling level.
 

NOTE: The optimum cooling level is position "THREE OR FOUR"(to avoid over cooling and damaged to the compressor).
3. Check the temperature after 4 hours. If the cooling has reached to acceptable level, you may start using the appliance.
4. The temperature will be affected by:
  - Room temperature;
  - How often the door is opened; and
  - How much food is stored
5. In determining the correct temperature control setting, all the above factors have to be considered and some experimentation may be required.
6. Always store the hot food after it has completely cold. Never store hot items into the appliance.
7. Always pack the food completely before putting into the appliance to avoid taste mixing and frosting together.
8. If there is an electricity cut-off, please wait 10 minutes before operating the appliance again to avoid damage to the compressor.

5

## DEFROSTING THE APPLIANCE

1. Getting the air into the appliance may form a layer of frost inside. It will weaken the refrigeration when the frost is thick. When it is more than 5mm thick, you should defrost the appliance.
2. Wrap the food and keep them in a cool place.
3. Turn off the power and unplug the switch from the electrical mains.
4. Place a tray under and near the drain plug. Pull out the drain dial.



5. Rotate the drain dial 180 degree. This will let the water flow out into the tray. When done, push the drain dial in.
6. The defrosting process usually takes few hours to complete. To speed up the defrosting process, try putting bowls of hot (not boiling) water in the freezer compartment. Keep the door open.
7. Replug the drain plug into the freezer compartment.
8. Wipe the interior of the freezer with soft cloth and plug the plug in the electrical outlet.
9. Reset the temperature control to the desired setting when required.
10. The appliance should be defrosted once every one month depending on the usage.
11. If the appliance door was opened frequently or using the appliance in high humidity area, we advise the user to defrost once every two weeks.
8. This appliance should not be left unused for a long period. To stop using the appliance, disconnect the main power. Clean the interior and dry it completely. Open the door for 2-3 days to ensure it is dry completely.

6


## CLEANING AND MAINTENANCE

For hygienic reasons the appliance interior including accessories should be cleaned regularly.

1. Always ensure that the electrical main has been turned off and unplug before cleaning the appliance.
2. Wrap the food and keep them in a cool place.
3. Do not use chemical, steel, wooden or abrasive cleaners to clean the appliance.
4. Never use sharp instruments to scrape off frost or ice.
5. Never use steam cleaning product to clean the appliance.
6. After cleaning, wipe the appliance until it is completely dry.
7. Use warm water to clean the oil and stains on the gasket in order to keep its elasticity.
8. This appliance should be serviced by an authorised service technician. Please contact the service centre if you required service on the appliance.
9. Under no circumstances should you attempt to repair the appliance by yourself.
10. Repairs carried out by inexperienced persons may cause injury or serious malfunctioning.

7

## TROUBLESHOOTING

 **CAUTION! BEFORE TROUBLESHOOTING, DISCONNECT THE POWER SUPPLY. ONLY A QUALIFIED TECHNICIAN OR COMPETENT PERSON CAN PERFORM THE TROUBLESHOOTING GUIDE IN THIS MANUAL. CONTACT THE SERVICE CENTRE IF YOU NEED ASSISTANCE.**

Problem	Possible cause	Solution
Appliance does not work.	Main plug in not plug in or loose.	Plug in ithe main plug completely.
	Fuse has blown or defective.	Check fuse and replace if necessary.
	Socket is defective.	Mains malfunctions are to be serviced by a technician.
Appliance too cold.	Thermostat has been set too cold or at the MAX position.	Turn the thermostat lower and optimum at level 3.
The food does not get frozen.	Thermostat is not properly adjusted.	Turn the thermostat higher and optimum at level 3.
	Door has been opened for too long.	Open the door only when necessary.
	A large quantity of food was placed in the compartment for the past 24 hours.	Turn the thermostat to higher level temporary.
	The appliance is near a heat source.	Relocate the appliance according to the installation requirement.
Heavy built up of frost on the door seal.	The door seal is not air tight.	Request for service by carefully warming the uneven section of the door seal with a hair dryer.
Unusual noises	The appliance is not in level or close to foreign object.	Make sure the appliance is in level and leave a gap to the wall.
	The compressor is faulty.	Request for service by contacting the authorized service centre.

If the problem persists, please contact the authorized service centre for immediate service. Retain the warranty card and proof of purchase for warranty purpose.

8

## MAIN SPECIFICATIONS

Model No	: INVERNO EF-F6650WH)
Gross Capacity	: 660L
Climatic Type	: T
Insulation Class	: CLASS I
Total Input Power	: 220W, 1.9A
Rated Voltage	: 220-240V / 50-60Hz
Refrigerant	: R134a
Product Dimension (mm)	: 1660 (W) x 670 (D) x 840 (H)
Product Internal Dimension (mm)	: 1506 (W) x 516 (D) x 617 (H)

# ELBA

### NOTICE

This product must not be disposed together with domestic waste. It has to be disposed at an authorized place for recycling of electrical and electronic appliances. By collecting and recycling waste, you help to save natural resources and make sure the product is disposed in an environmental friendly and healthy way.



9