















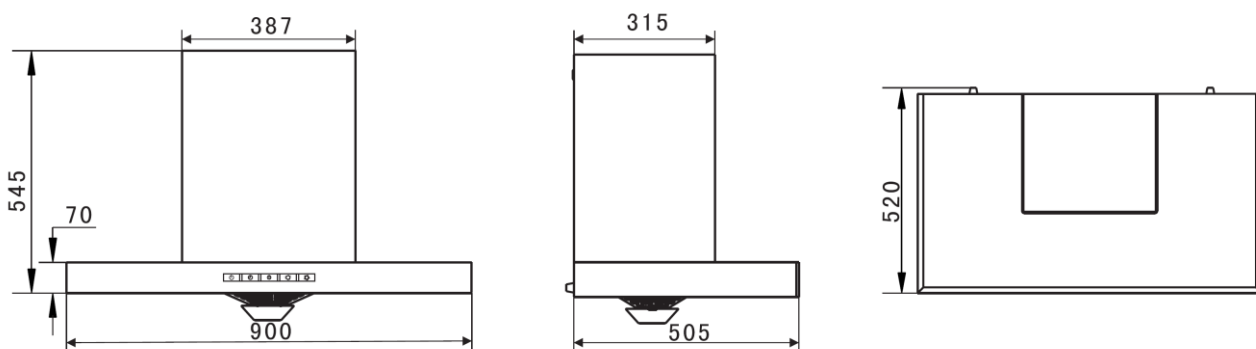




## MAIN SPECIFICATION

Rated Voltage : 220-240V/50Hz  
LED Light : 2W x 2  
Suction Power : 1,400m<sup>3</sup>/hr  
Motor Power : 220W  
Product Dimension : 900mm (W) x 545mm (H) x 505mm (D)

## PRODUCT SIZE



### NOTICE

This product must not be disposed together with domestic waste. It has to be disposed at an authorized place for recycling of electrical and electronic appliances. By collecting and recycling waste, you help to save natural resources and make sure the product is disposed in an environmental friendly and healthy way.



**ELBA**