

ELBA

DESIGNER HOOD
MODEL: EH-J9031ST(SS)
EH-J9032ST(BK)

Owner's Manual

Please read this manual carefully before operating your set.

Retain it for future reference.

Record model number and serial number of the set.

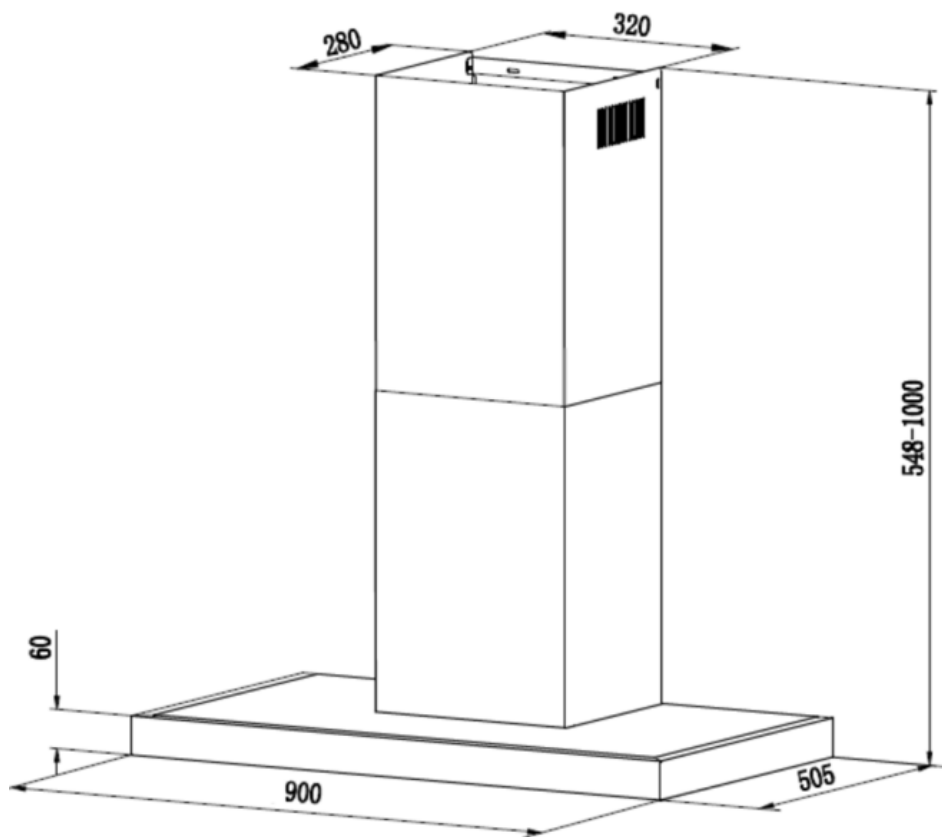
See the label attached on the set and quote this information to your dealer when you require service.

For The Warranty Terms & Conditions, Please Refer To Warranty Certificate

MAIN SPECIFICATION

Rated Voltage	: 220-240V/50Hz
LED Light	: 8W x 1
Suction Power	: 1,400m ³ /hr
Motor Power	: 270W
Product Dimension	: 900mm (W) x 548-1,000mm (H) x 505mm (D)

PRODUCT SIZE



NOTICE

This product must not be disposed together with domestic waste. It has to be disposed at an authorized place for recycling of electrical and electronic appliances. By collecting and recycling waste, you help to save natural resources and make sure the product is disposed in an environmental friendly and healthy way.



ELBA