



# ELBA

**DESIGNER HOOD**  
**MODEL: EH-E9122ST(BK)**

## **Owner's Manual**

Please read this manual carefully before operating your set.

Retain it for future reference.

Record model number and serial number of the set.

See the label attached on the set and quote this information to your dealer when you require service.

**For The Warranty Terms & Conditions, Please Refer To Warranty Certificate**

Please read this instruction carefully. It is advisable to keep this instruction manual in a safe place for future reference.

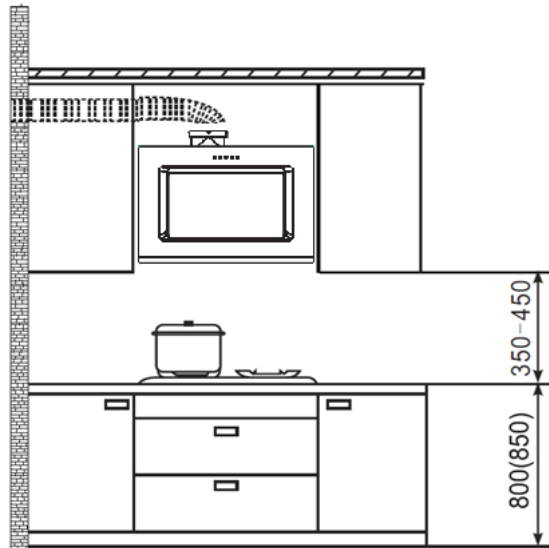
## **SAFETY PRECAUTIONS**

1. Keep electrical appliances out of reach from children. Do not let them to operate the appliances without supervision.
2. To protect against the risk of electrical shock, do not immerse the product, cord or plug into water or any other liquid.
3. This product is for household and indoor use only.
4. This product is not intended for use by person (including children) with reduced physical, sensory or mental capabilities unless they have been given supervision or instruction concerning use of the appliance by a person responsible for their safety.
5. If the power cord or plug is damaged, it must be replaced by the service centre or a qualified service technician to avoid hazard.
6. Before installation, check if the mains supply voltage is matched with the voltage stated on the rating plate of the hood.
7. There must be adequate air ventilation of the room when the cooker hood is used with the cooking appliances with burning gas or other fuels.
8. Ensure that the installation of exhaust complies with the standard of local building, gas and electrical authorities.
9. Do not ignite flames in the pans.
10. There is a risk of fire if cleaning is not carried out in accordance with this instruction.

## ASSEMBLY INSTRUCTIONS

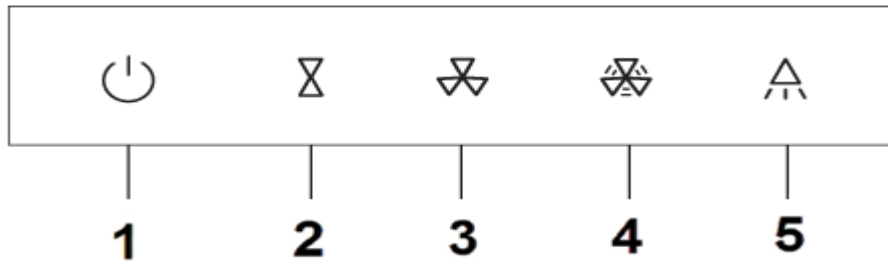
Please check the following before installation:

- Installation of hood must be carried out by an authorized or qualified technician.
- Remove all packaging materials from the cooker hood. Check and make sure that the cooker hood is not damaged.
- Please ensure the power supply has switched OFF when installing the hood.
- For optimum air extraction, avoid having too many windows surrounding the cooker hood which will cause air convection.
- The optimum height for the installation is between 350 to 450mm which measure from the bottom of the hood to the top of the hob.
- Make sure the hood is in level after installation to avoid oil spill over from the oil cup collectors.










- Before installing, determine the height between the bottom of the cooker hood to the top of the hob. Mark on the wall to suit the bracket locations.
- Drill 4 holes with diameter of  $\varnothing 8\text{mm}$  and 60mm deep. Insert the screw anchors into the holes. Fix the mounting bracket and tighten the screws.
- Remove the horizontal oil cup. Hang the hood on the mounting bracket and make sure the hood is in level.
- Fix the exhaust ducting on the hood. Install the oil cups on the cooker hood.
- Install the telescopic exhaust cover to the height required.
- Before connecting to the mains supply, ensure that the mains voltage corresponds to the voltage on the rating plate inside the cooker hood.

## PRODUCT DESCRIPTIONS



- 1 Switch/Delay Function – To switch the cooker hood to standby mode and turn off the cooker hood. Press this button during operation to schedule three minute delay timer to turn off the cooker hood.
- 2 Low Fan Speed – Press this button to operate low fan speed.
- 3 High Fan Speed – Press this button to operate high fan speed.
- 4 Turbo Fan Speed – Press this button to operate turbo fan speed for one minute (after one minute will revert to high fan speed).
- 5 Lamp Illumination – To switch on/off the LED lamp.

## OPERATING INSTRUCTIONS

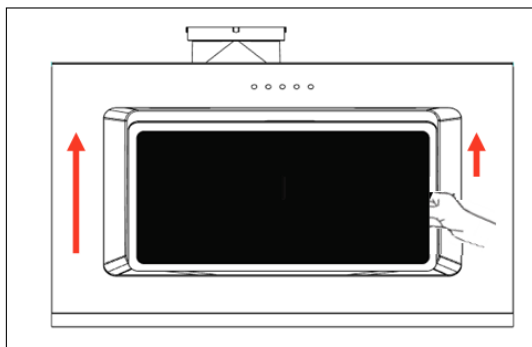
- 1 Press the  button and press the  button to operate the cooker hood in low speed. Press the  button to operate the cooker hood in high speed. Press the  button to operate the cooker hood in turbo speed. This function will revert to high speed after one minute.
- 2 When the motor is running, press  button to schedule the cooker hood to turn off after three minutes. Press  button again when the cooker hood in delay off mode to turn off the cooker hood immediately.
- 3 Press the  button to turn on the LED lamp. Press again to turn off. (This function does not relate to the cooker hood motor).

## CLEANING AND MAINTENANCE

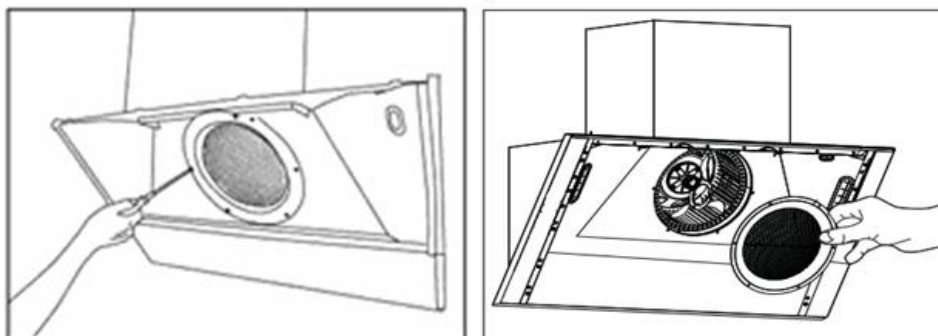
- The hood must always be disconnected from the electricity supply before carrying out the maintenance.
- Clean the hood with damp cloth, hot water and mild detergent. Do not use chemical, steel, wooden or abrasive cleaners to clean the hood.
- Remove the oil cups in horizontal direction, wash in hot soapy water, dry and fit back into the hood. Do not use the hood without the oil cup installed.
- Avoid spilling water into motor and electronic component.

### CLEANING THE INNER PART

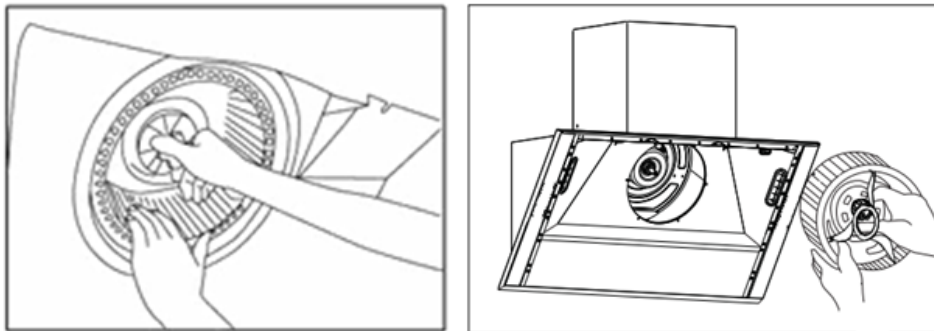
- Disconnect the power supply and then pull the glass panel from the bottom with both hands from the left and right. Remove the glass panel from the locking nut and push the panel upward with both hands to take down the panel slowly.



- Loosen the screws on the air inlet ring and then take out the filter.

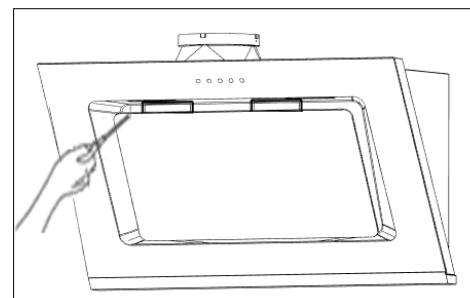


- Turn the locknut in clockwise direction to take out the impeller.



## REPLACING THE LIGHT BULB

- Disconnect the power supply, push the panel upward with both hand to take down the panel slowly
- Slightly insert the screwdriver in the edge of the lamp and pry downward to take out the LED lamp (2W).
- Disconnect the connecting cable of LED lamp (2W) and replace a new LED lamp unit (2W). Connect the power supply to ensure LED lamp (2W) is function.



※ The LED lamp bulb is shall not be greater than 2W.

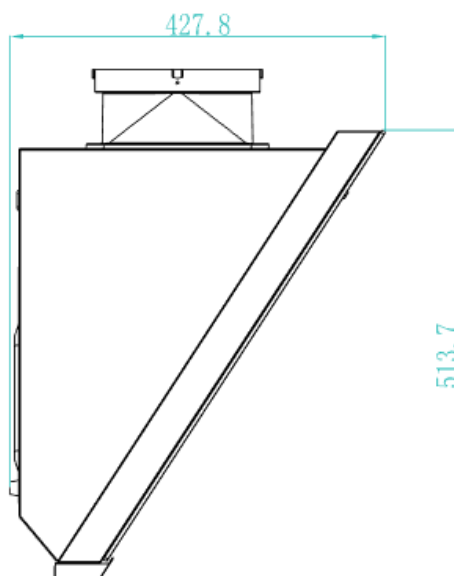
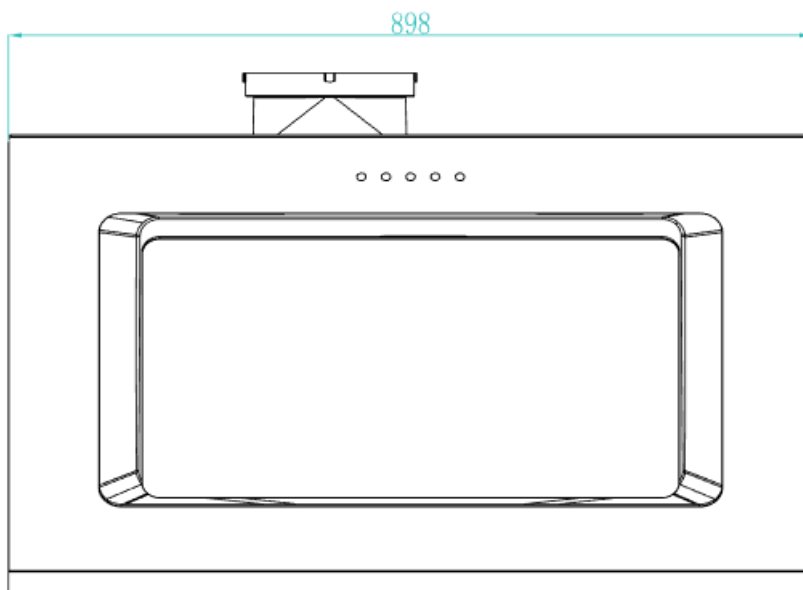
## TROUBLESHOOTING

Malfunctions	Possible Root Cause	Checking
Weak Suction	The distance is too far between the hood and stove	Lower down the Hood installation height but within the safety guideline
	Strong convection due to too much ventilation	Shut off some of the windows or doors
Hood and light not function	The power supply not connected	Check the plug is well connected and power is switched on
	Power cord is damaged	Contact technicians for repair
Motor function but light not works	Light bulb is damaged	Replace a new light bulb ( $\leq 2W$ )
Light works but motor not function	The bearing may be damaged	Contact technicians to repair
	The internal wires or motor capacitor may be burnout	
Vibration on the hood	The screw is loosen	Tighten the screws
The hood is noisy	Exhaust pipe surface is distorted	Contact technicians to reinstall the exhaust pipe

## MAIN SPECIFICATION

Rated Voltage : 220-240V/50Hz  
LED Light : 2W x 2  
Suction Power : 1,400m<sup>3</sup>/hr  
Motor Power : 250W  
Product Dimension : 898 mm (W) x 996-1343mm (H) x 428mm (D)

## PRODUCT SIZE



### NOTICE

This product must not be disposed together with domestic waste. It has to be disposed at an authorized place for recycling of electrical and electronic appliances. By collecting and recycling waste, you help to save natural resources and make sure the product is disposed in an environmental friendly and healthy way.



**ELBA**