



ELBA

VENTILATION FAN
MODEL: EVF-E0805(WH)
EVF-E1005(WH)
EVF-E1205(WH)
EVF-E0825GM(WH)
EVF-E1025GM(WH)

Owner's Manual

Please read this manual carefully before operating your set.

Retain it for future reference.

Record model number and serial number of the set.

See the label attached on the set and quote this information to your dealer when you require service.

For The Warranty Terms & Conditions, Please Refer To Warranty Certificate.

REMOVE ALL PACKING MATERIALS FROM THIS PRODUCT BEFORE USING IT. THIS APPLIANCE MUST BE INSTALLED ON A FLAT SURFACE. PLEASE ENSURE THE ELECTRIC SUPPLY TO THIS APPLIANCE IS DISCONNECTED BEFORE INSTALLING.

Please read this instruction carefully. It is advisable to keep this instruction manual in a safe place for future reference.

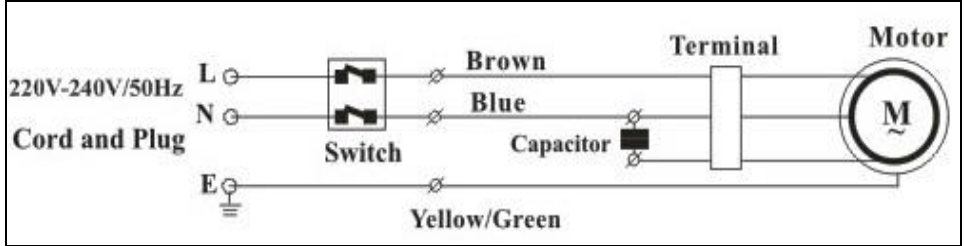
GENERAL SAFETY INFORMATION

When using electrical appliances, basic precautions should always be followed to reduce the risk of fire, electric shock and injury to persons, including the following:

Read all instructions before using Fan:-

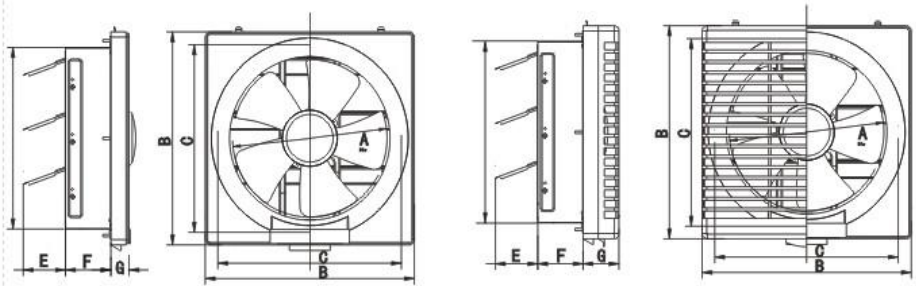
1. Be sure to choose appropriate voltage (220-240V/50Hz) before connecting with power source.
2. Power plug is not included in the appliance and comes separately. It is recommended to install the appliance directly to a wall socket with individual wall switch.
3. Use this Fan only as described in this manual. Any other use not recommended by the manufacturer may cause fire, electrical shock, or injury to persons.
4. Do not operate any Fan with a damaged cord or plug or after the Fan malfunctions, has been dropped or damaged in any manner. Return Fan to authorized service facility for examination, electrical or mechanical adjustment or repair.
5. Ground height should be more than 2.3M while using.
6. Do not insert or allow fingers or foreign objects to enter any ventilation or exhaust opening as it may cause an electric shock of fire, or damage the Fan. Do not block or tamper with the Fan in any manner while it is in operation.
7. If the supply cord is damaged it must be repaired by its manufacturer, its Service Agent or a similarly qualified person in order to avoid a hazard.
8. This appliance is not intended for use by persons (including children) with reduced physical, sensory or mental capabilities, or lack of experience and knowledge, unless they have been given supervision or instruction concerning use of the appliance by a person responsible for their safety.
9. **WARNING:** In order to ensure your children's safety, please keep all packaging (plastic bags, boxes, polystyrene etc.) out of their reach.

WIRING DIAGRAM



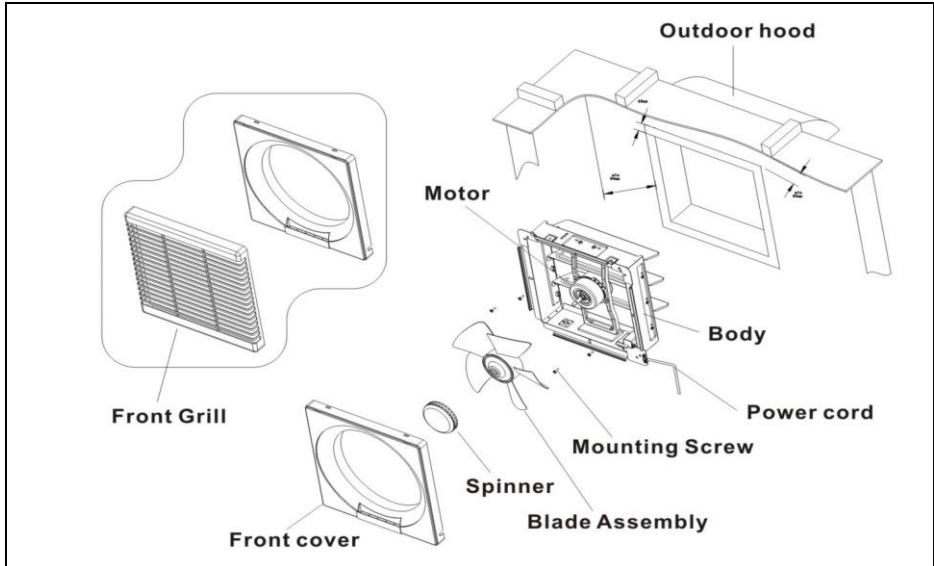
WARNING

DO NOT CONNECT TO MAINS SUPPLY BEFORE ASSEMBLY IS COMPLETED. THE IMPORTANT SAFEGUARDS AND INSTRUCTION APPEARING IN THIS MANUAL ARE NOT MEANT TO COVER ALL POSSIBLE CONDITIONS AND SITUATIONS THAT MAY OCCUR. IT MUST BE UNDERSTOOD THAT COMMON SENSE, CAUTION AND CARE ARE FACTORS WHICH CANNOT BE BUILT INTO ANY PRODUCT. THESE FACTORS MUST BE SUPPLIED BY THE PERSON(S) USING AND OPERATING THE UNIT.



Model	A (mm)	B (mm)	C (mm)	D (mm)	E (mm)	F (mm)	G (mm)
EVF-E0805(WH)	200	300	265	245	75	68	39
EVF-E1005(WH)	250	345	318	290	70	75	42
EVF-E1205(WH)	300	400	365	345	80	86	44
EVF-E0825GM(WH)	250	300	265	245	75	68	75
EVF-E1025GM(WH)	300	345	318	290	70	75	83

INSTALLATION METHOD



TECHNICAL SPECIFICATION

Model	Voltage	Frequency	Power (W)	Air Delivery (m ³ / min)	Speed (rpm)	Sound Level (dB)
EVF-E0805(WH)	220-240V	50Hz	30	8.1	1200 - 1450	42
EVF-E1005(WH)	220-240V	50Hz	35	12.0	1100 - 1400	45
EVF-E1205(WH)	220-240V	50Hz	45	18.0	1050 - 1350	52
EVF-E0825GM(WH)	220-240V	50Hz	30	8.1	1200 - 1450	42
EVF-E1025GM(WH)	220-240V	50Hz	35	12.0	1100 - 1400	45

CLEANING AND MAINTENANCE

1. Before carry out any cleaning or servicing operation, ensure that the fan is switched off and blade is stationary.
2. Never use petrol, benzene, thinner or any other such chemicals for cleaning the exhaust fan.
3. Do not allow water to contact electrical parts such as motor or switches.
4. Do not immerse blades and/ or other plastic parts in hot water over 60°C.
5. Wear plastic gloves during cleaning may avoid accidents.
6. Wooden or abrasive cleaners to clean the appliance.

WARNING: DO NOT IMMERSE THE APPLIANCE INTO WATER. ENSURE THAT THE FAN IS UNPLUGGED FROM THE POWER SUPPLY BEFORE REMOVING THE GUARD.

NOTICE

This product must not be disposed together with domestic waste. It has to be disposed at an authorized place for recycling of electrical and electronic appliances. By collecting and recycling waste, you help to save natural resources and make sure the product is disposed in an environmental friendly and healthy way.



ELBA