

# **ELBA**

## **SANDWICH MAKER**

### **MODEL: ESM-G7528(SS)**

#### **Owner's Manual**

Please read this manual carefully before operating your set.

Retain it for future reference.

Record model number and serial number of the set.

See the label attached on the set and quote this information to your dealer when you require service.

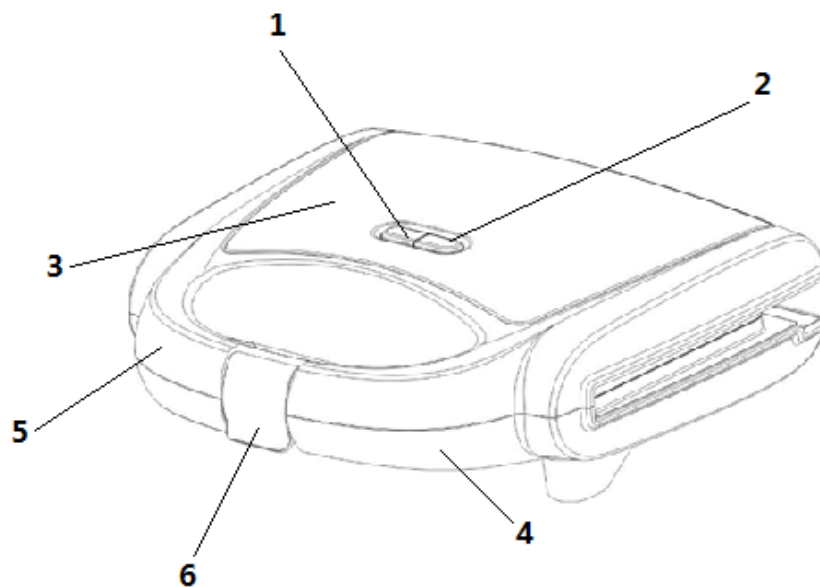
**For The Warranty Terms & Conditions, Please Refer To Warranty Certificate.**

## IMPORTANT SAFEGUARDS

When using the appliance, basic precautions should always be followed, including the following:

1. Read all instructions before using and save these instructions for future reference.
2. Do not operate the appliance with a damaged power cord or plug or after the appliance malfunctions, or it is dropped or damaged in any manner. Return the appliance to the nearest authorized dealer or after-sales service centre for examination, repair or mechanical adjustment.
3. Do not let the power cord hang over the edge of table or hot surface.
4. To protect against electric shock do not immerse cord, plugs, or housing in water or other liquid.
5. Unplug the plug from wall outlet when not in use.
6. Do not place the appliance on or near the gas or electric burner, or in a heated oven.
7. **WARNING:** Do not use the appliance near water.
8. This product should not be used in immediate vicinity of water, such as bathtub, washbowls, swimming pool, etc. where the like hood of immersion or splashing could occur.
9. Never use any accessories or parts from other manufacturers or that ELBA does not specifically recommend.
10. While operating the appliance, the product surface will be very hot, use only the handle. Let the appliance to cool down before cleaning.
11. Place the appliance on flat and heat resistance surface.
12. To prevent heat from building up, do not place the appliance directly underneath a cupboard. Ensure that there is enough space all around.
13. Do not cover any parts of the appliance with metal foil curtains, cloths, wall as it will cause fire easily.
14. Do not leave the appliance unattended when switched on.
15. Do not operate the appliance with wet or moist hands.
16. Extreme caution when moving the appliance after heating.
17. Do not use this appliance outdoors.
18. The appliance is for household use only.
19. Do not operate the appliance for other than its intended use.
20. This appliance is not intended for use by persons (including children) with reduced physical, sensory or mental capabilities, or lack of experience and knowledge, unless they have been given supervision or instruction concerning the use of the appliance by a person responsible for their safety.
21. Children should be supervised to ensure that they do not play with the appliance.
22. While operating the appliance, keep the appliance out of reach of children.
23. This appliance is used to toast bread only. Do not operate the appliance other than its intended purpose.

## PRODUCT DESCRIPTIONS



1. Power Indicator Light (in red)
2. Power Indicator Light (in green)
3. Top lid
4. Bottom lid
5. Handle
6. Handle clip

## OPERATING THE APPLIANCE FOR THE FIRST TIME

1. Unpack the appliance and place it on a flat and heat resistance surface.
2. Lightly grease the heating surface before the appliance is used for the first time.  
Let the appliance to work for about 10 minutes with heating surfaces closed.
3. Let the appliance cold off before wiping the heating surface with a damp cloth. Dry the heating surface with a paper towel.

## OPERATING THE APPLIANCE

1. Insert the plug into the wall outlet and power on. At this stage, the power indicator light in red (power mode) and green (ready mode) will illuminate. Keep the lid of the sandwich maker closed during the warming-time. After a few minutes, the power indicator light in green will turn off to show the sandwich maker is ready for use.
2. Unlock the handle clip to open the lid and place each toast. Close the lid and ensure the sandwich is placed evenly. Lock the handle clip.

**Caution:** Heating plates are hot at this stage, please handle with care!

3. The green power indicator light will light up after a few seconds. The toasting process is finished.

**Note:** Do not use pointed or sharp objects to avoid damaging the heating surfaces.

## CLEANING AND MAINTENANCE

1. After use, power off the switch and unplug the plug from the wall outlet. Allow the appliance to cool down before cleaning.
2. Wipe the heating surfaces with absorbent paper or towel or soft cloth.  
**WARNING:** Never immerse the appliance in water or any other liquids for cleaning.
3. Clean outer body of the sandwich maker with a slightly damp cloth. Do not use abrasive detergents to clean the sandwich maker.
4. Store the appliance in a safe clean place.

## ENVIRONMENT –FRIENDLY DISPOSAL



You can help protect the environment!

Please remember to respect the local regulations: hand in the non-working electrical equipment to an appropriate waste disposal centre.

**ELBA**